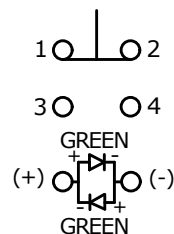


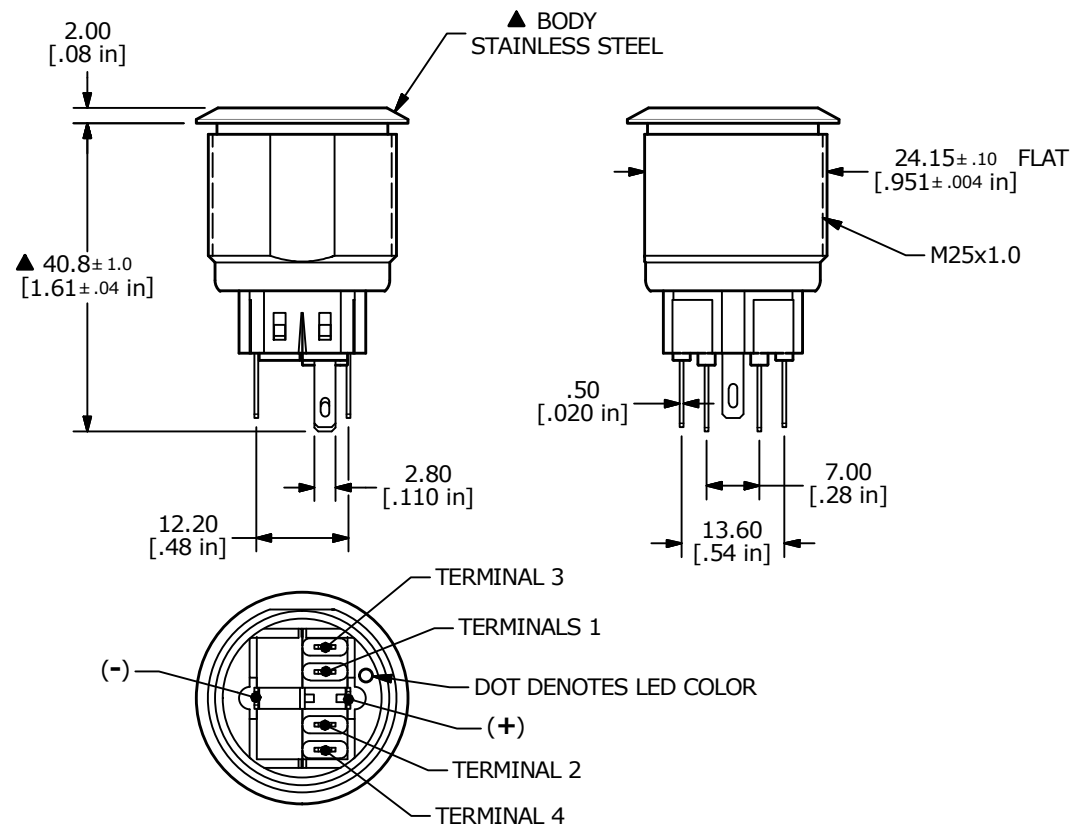
▲ SWITCH FUNCTION

POS. 1	POS. 2
1-2	(3-4)

() = MOMENTARY



▲ SPDT OFF-(ON) / ON-(OFF) CONTACT CONFIGURATION



- NOTE:
- ALL DIMENSIONS IN MM [INCH]
 - GENERAL TOLERANCE: X.X = ± 0.4
X.XX = ± 0.25
 - TERMINAL NUMBERS FOR REF. ONLY
 - RATING: 2A @ 48VDC
 - CONTACT RESISTANCE: 50mΩ MAX. @ 1A 12VDC
 - INSULATION RESISTANCE: 1,000MΩ @ 500VDC
 - DIELECTRIC STRENGTH: 2,000VAC MIN. FOR 1 MINUTE
 - ELECTRICAL LIFE: 50,000 CYCLES
 - OPERATING TEMPERATURE: -20°C to 55°C
 - INGRESS PROTECTION: IP65
 - ▲ DENOTES CRITICAL PARAMETER
 - SUPPLIED HARDWARE: O-RING and HEXNUT
 - 2011/65/EU (ROHS) COMPLIANT
 - ▲ 14. ILLUMINATION VOLTAGE: 12V
 - ▲ 15. ILLUMINATION COLOR: GREEN (FORWARD), GREEN (REVERSE)
 - ▲ 16. CONTACT PLATING: GOLD



A	24057	RELEASE	10/10/19	MW
REV	PCR NO	DESCRIPTION	DATE	BY

TITLE PV8F2Y0SS-334-M11 (Etched Power Symbol)				
SCALE	DATE	DR	DWG	REV
1:1	10/10/2019	BGL	52-PV8F2Y0SS334M11	A

THE INFORMATION CONTAINED IN THIS DOCUMENT IS PROPRIETARY TO E-SWITCH AND IS NOT TO BE COPIED OR TRANSFERRED